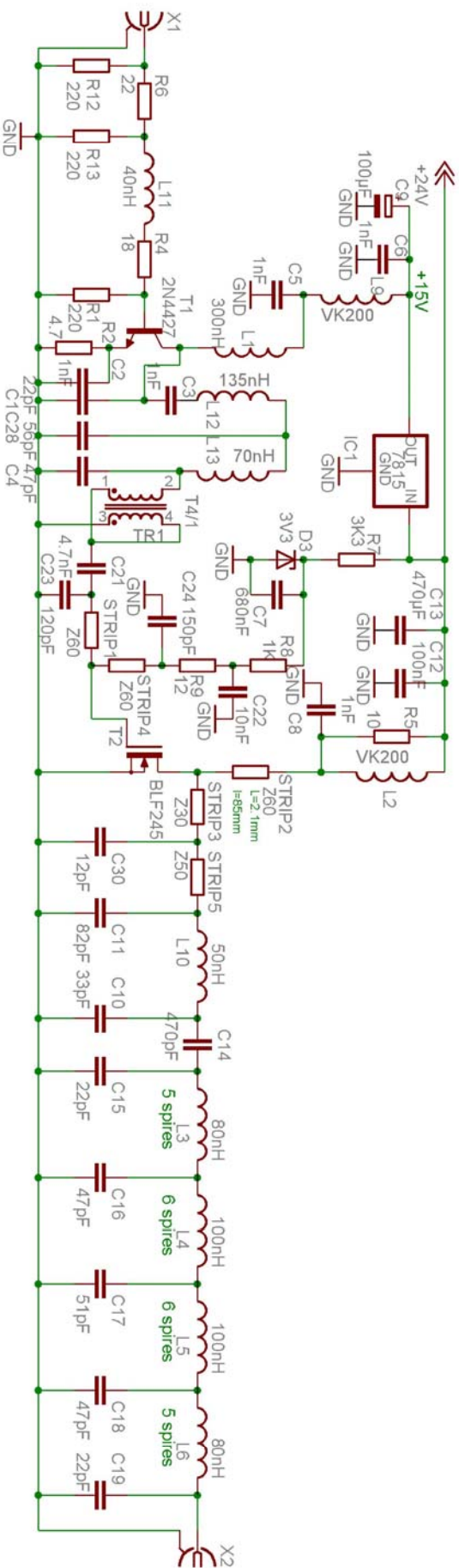
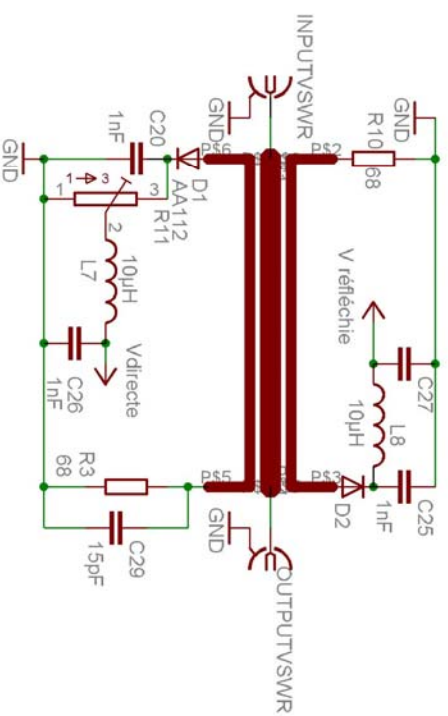


25W MOSFET AMPLIFIER



- L1=10 spires diam 5mm fil 0.6mm
- L14=5 spires diam 6mm fil 0.8mm
- L15=5 spires diam 4mm fil 0.8mm
- TR1=3 spires fil 3/10 sur tore 4C6
- L11=5 spires diam 3.5mm fil 0.6mm
- L10=4 spires diam 4 fil 0.8mm



RADIO INITIATION
V1E1

DESIGNER: MICHEL P

ampli 25W BLF245

17/06/2013 16:11:13

Sheet: 1/1